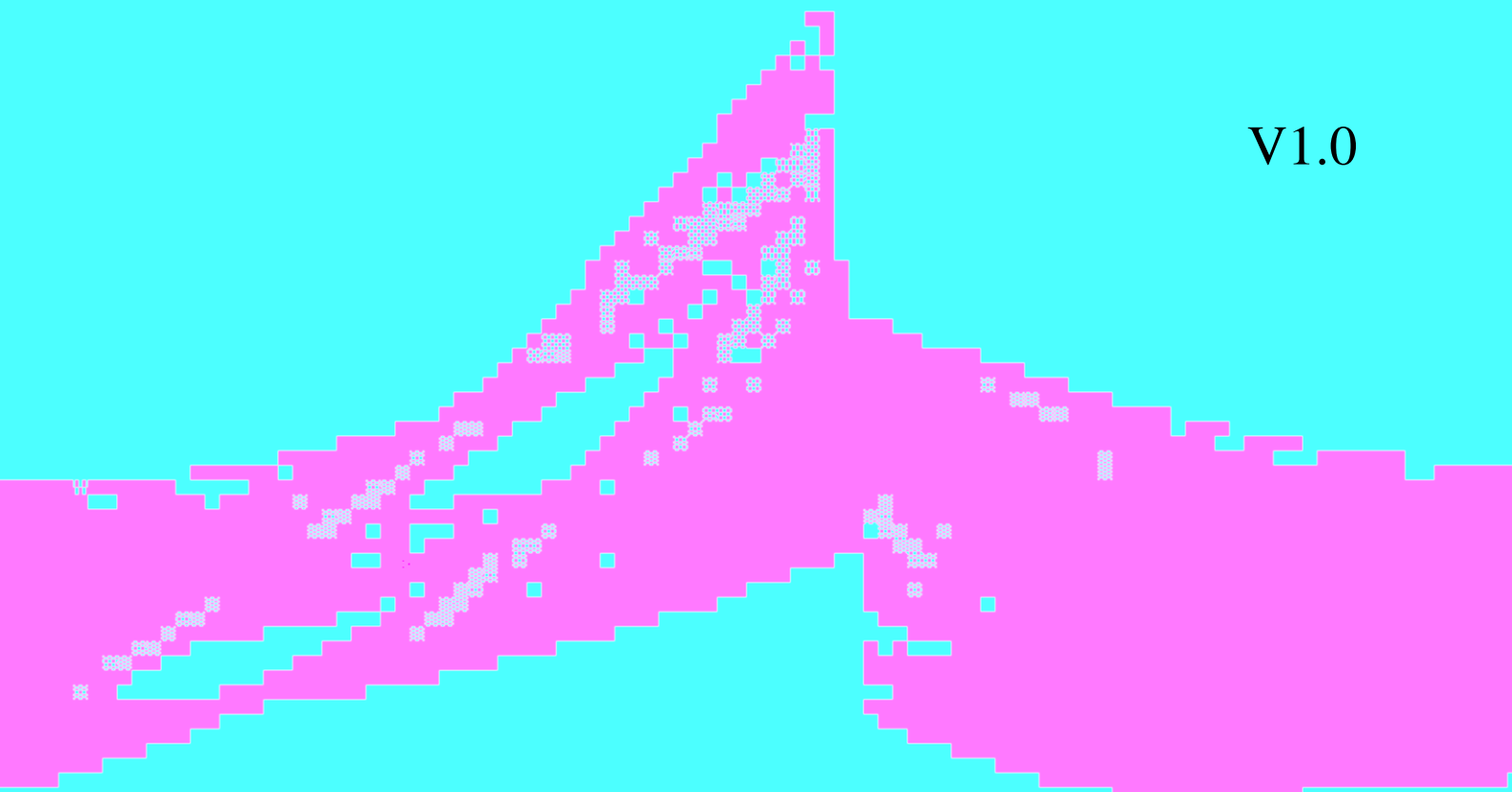




CSA202-P042T01

V1.0





CSA202-P042T01



4.
 $T_A=25^{\circ}\text{C} \pm 5^{\circ}\text{C} \quad U_C=\pm 28\text{V} \quad R_M=2$

(DC)	$I_{PN\ DC}$	--	-2000	--	2000	A
(AC rms)	$I_{PN\ AC}$	--	--	1414	--	A

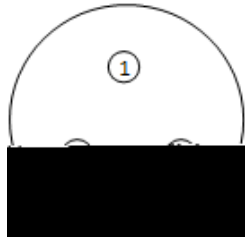
6.

T_A

--

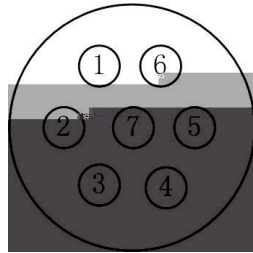
8.2

POW



1	VSS
2	GND
3	VCC

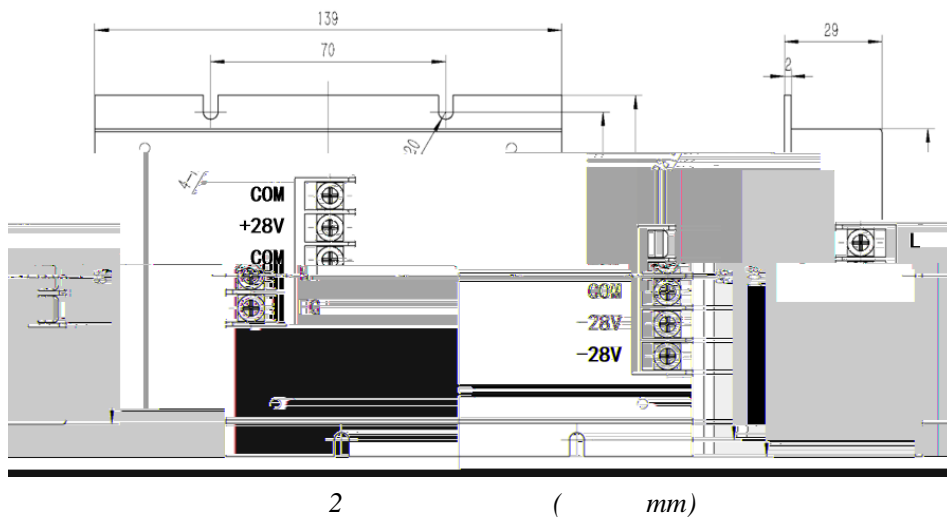
AO



1	NC	5	NC
2	NC	6	M_V+
3	GND	7	M_V-
4	M_A		

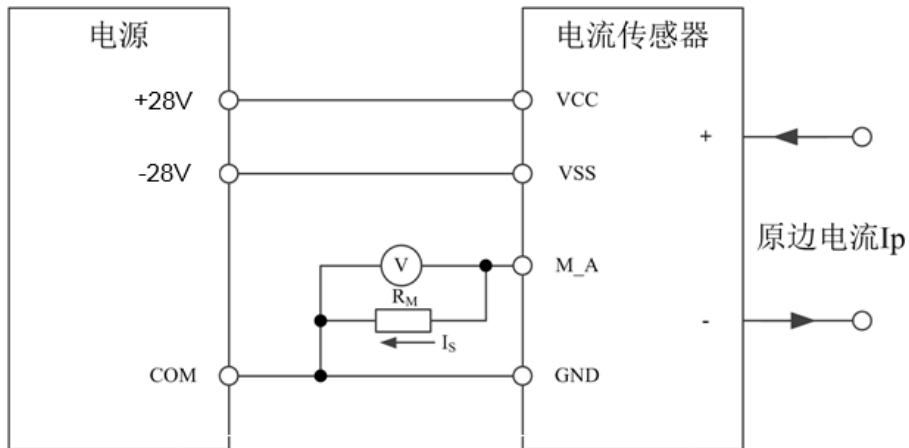
VCC
VSS
GND
M_V+
M_V-
M_A

8.3



L	N	FG	COM	+28V	COM	COM	-28V	-28V
				28V			28V	28V

9.



$$I_P = K_N * I_s = K_N * (U_R / R_M)$$

10.

1		CSA202-P042T01	1	--
2		--	1	--
3	POW		1	--
4	AO		1	

